

Express Kiosk

Touchscreen Kiosk

Express Kiosk is a sleek touchscreen kiosk designed to be used in a wide range of semi attended, internal locations such as educational facilities, hospitals, banks, retail and other settings



- Self-serve customers quickly and efficiently
- Fully integrated into Monitor software
- Strong and reliable
- Provides reload of user accounts
- Provides casual ticket options
- Tough overlay touch panel
- Launches additional software options
- 2GHZ Intel duo core processor
- Optional EFTPOS pin-pad
- Various optional fittings for
 - Printers
 - Note validators
 - Coin validators
 - Card dispensers
 - Card readers



Express Kiosk

Touchscreen Kiosk

Express Kiosk is a sleek touchscreen kiosk designed to be used in a wide range of semi attended, internal locations such as educational facilities, hospitals, banks, retail and other settings

Express Kiosk is a sleek touchscreen kiosk designed for unattended, internal location use. Express Kiosk utilises quality touch-screen technology and offers retail specific hardware and can be tailored to your requirements..

Key Benefits

For Users

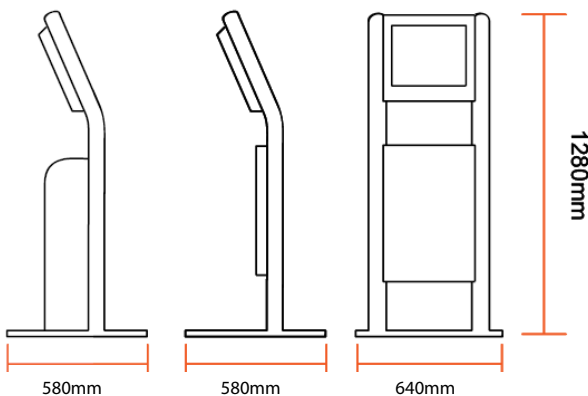
- Convenient and simple to use
- Durable and reliable
- Clear and responsive touch action
- Automated self-service kiosk means customers or users not having to find or wait for staff

Features

The standard Express Kiosk base includes –

- Black chasis frame
- 2 x front panels in your choice of colors
- Rear plastic cover
- Rear steel cover
- Front opening steel panel
- 2 x Internal cooling fans
- Open frame LCD panel
- 3M or Zytronic touch overlay panel

Technical Dimensions



iBeam Kiosk is ADA (American Disabilities Act) compliant

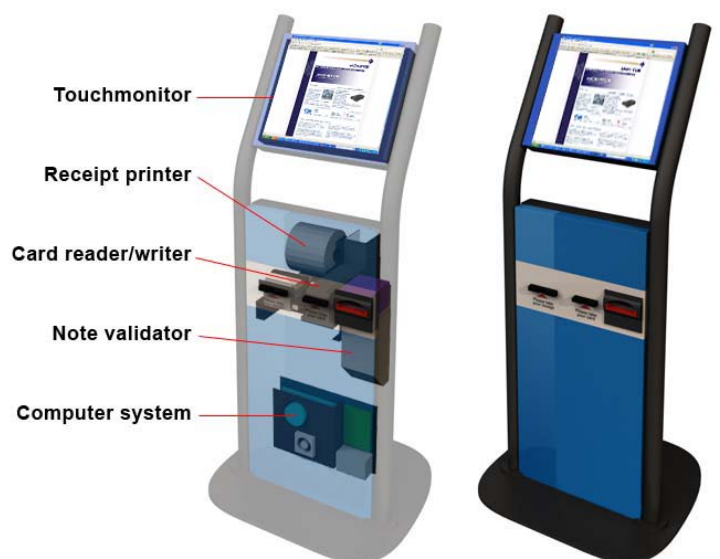
*Due to our policy of continuous improvement specifications are subject to change without notice.
© 2011 Monitor Business Machines. All rights reserved.

- Industrial Computer
 - 2GHZ Intel duo core processor
 - 80GB Hard drive
 - 2GB Ram
 - 450w power supply
- Windows OS - XP Pro service pack 3
- Steel baseplates

Optional Features

The additional options include –

- Thermal printers
- Transactional hardware
 - Note validator
 - Coin validator
 - Barcode Scanner
 - EFTPOS pin-pad
 - Card dispensers
 - Card readers
- Door alert alarm and hi-security locking system
- Monitor Express software enables value adding or reloading using cash, credit or debit card
- **Supervisor Express** enables casual user ticketing
- **Supervisor Express** interacts with Supervisor Net
- Other Monitor software options



MONITOR

Transaction Management

www.monitorbm.com